

ISO 6432
PNEUMATIC CYLINDERS
PMD-A SERIES Ø16 - Ø25



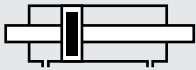


PMD-A SERIES

ISO 6432 - Ø16 - Ø25

DOUBLE ACTING CYLINDER WITH
DOUBLE ROD
AND MAGNET

DOUBLE DIRECTION RUN AND
STROK ADJUSTMENT IS POSSIBLE



PMD-A: DOUBLE ACTING MAGNETIC AND DOUBLE ROD

Example of order:

PMD-A
Product Code

25-050
Cylinder Ø
Stroke

FM
Cylinder
Mountings

M1
Variants from
Standard System

VARIANTS FROM STANDARD SYSTEM:

- R1: Stainless Steel Piston Rod (SS 304-SS 316)
- R4: Stainless Steel Nut for Piston Rod (SS 304)
- R5: Piston Rod as CK45 (Hard Chrome Plated)
- M1: Extended male Piston Rod Thread
- M2: Female Piston Rod Thread
- M3: Special Piston Rod Thread
- M4: Extended Piston Rod
- E2: Stainless Steel Cylinder Covers (SS 304-SS316)
- K1: Seals for Max. 150°C (Viton)
- K3: Seals NBR
- K4: Piston Rod Seal Viton

Force:

Cylinder Ø mm	Rod Ø mm	Thrust and traction forces (6 Bar)	
		Thrust Force (N)	Traction Force (N)
16	6	88	88
20	8	141	141
25	10	219	219

Working Fluid:

Filtered and lubricated or filtered and not lubricated air

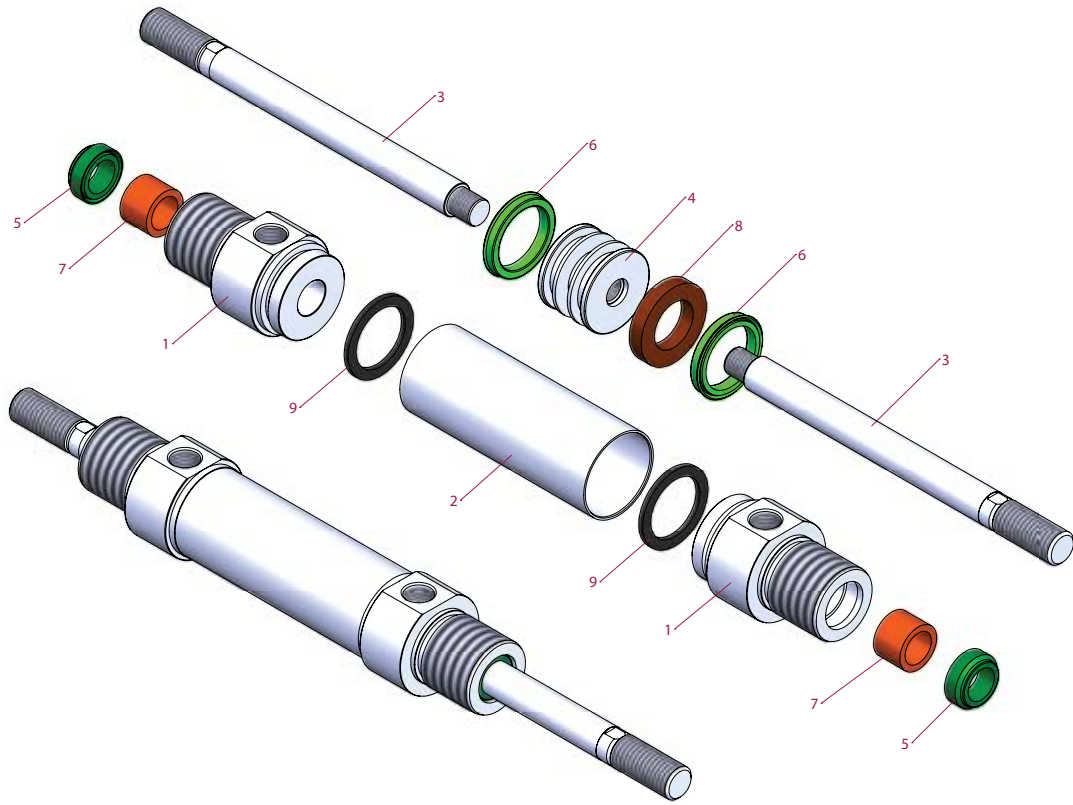
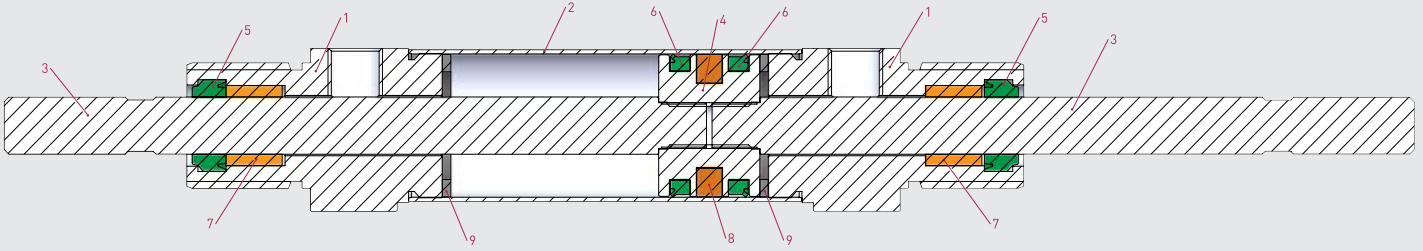
Operating Temperature Range:

Polyurethane (PU) : (-20°C) - (+80°C)

Viton (FKM) : (-30°C) - (+150°C)

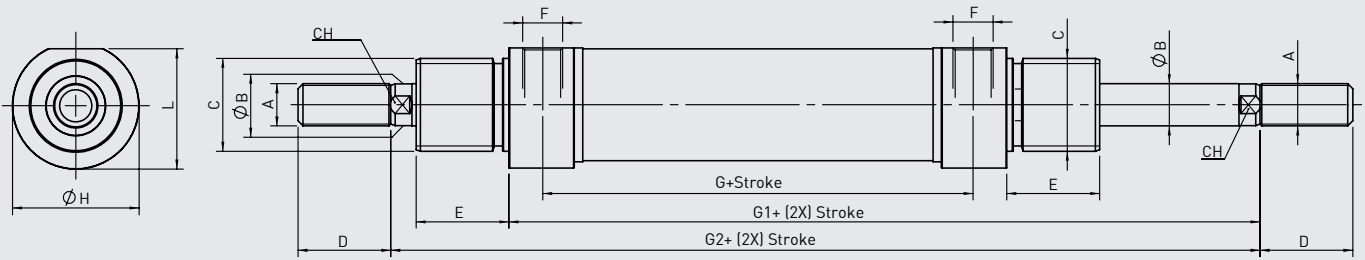
Max. Work Pressure:

10 Bar



No	MATERIAL NAME	CHARACTERISTIC	PC.
1	Head	Aluminium	2
2	Tube	SS 304	1
3	Piston Rod	SS 303	2
4	Middle Piston	Brass	1
5	Rod Seal	PU	2

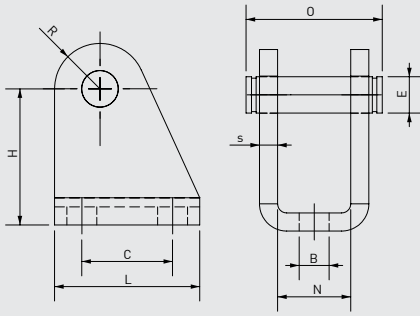
No	MATERIAL NAME	CHARACTERISTIC	PC.
6	Piston Seal	PU	2
7	Guidind Bush	Sinterized Bronze	2
8	Magnet		1
9	Buffer	NBR	2



PMD-A SERIES
ISO 6432 - $\varnothing 16$ - $\varnothing 25$

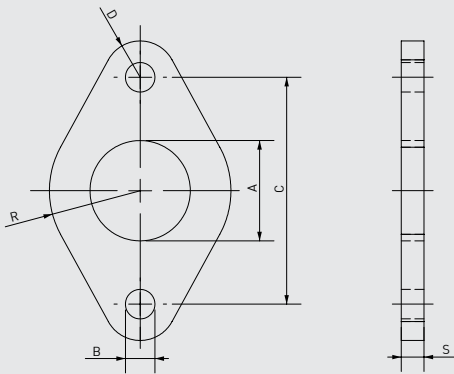
Cylinder \varnothing mm	A	$\varnothing B$	C	D	E	F	G	G1	G2	$\varnothing H$	L	CH
16	M6	6	M16x1.5	16	18	M5	43	75	97	19	18	5
20	M8	8	M22x1.5	20	20	1/8" G	51,5	91	115	27	25,5	7
25	M10x1.25	10	M22x1.5	22	22	1/8" G	52	96	124	30	28,5	9

SF SWIVEL FLANGE



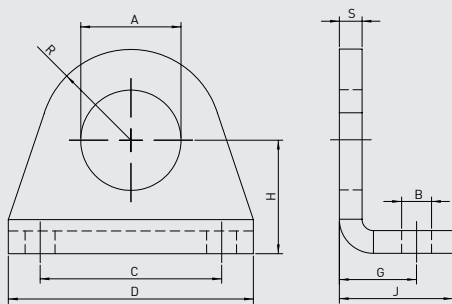
Cylinder Ø mm	B H13	E f8	C JS13	H ±0.2	L	N E9	O	R max	S ±0.2
8-10	4,5	4	12,5	24	20	8,1	17	5	2,5
12-16	5,5	6	15	27	25	12,1	23	7	3
20-25	6,6	8	20	30	32	16,1	29,5	10	4

FM FLANGE MOUNTING



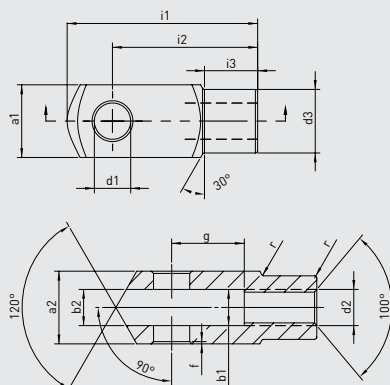
Cylinder Ø mm	A +0.3 +0.1	B H13	C JS13	R ±0.2	G ±0.2	S ±0.2
8-10	12	4,5	30	11	5	3
12-16	16	5,5	40	15	6	4
20-25	22	6,6	50	20	8	5

FM FOOT MOUNTING

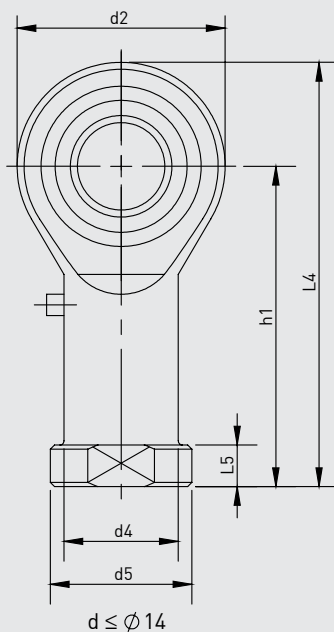
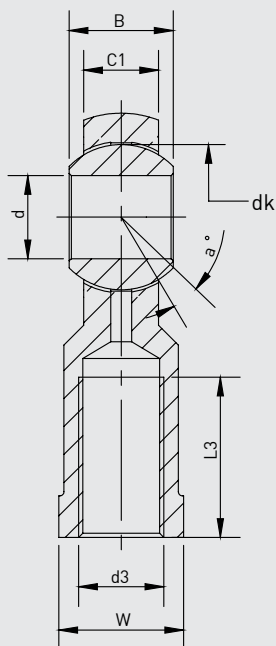


Cylinder Ø mm	A +0.2 +0.1	B H13	C JS13	D	G +0.3 0	H ±0.2	J	R max	S ±0.2
8-10	12	4,5	25	35	11	16	16	10	3
12-16	16	5,5	32	42	14	20	20	12,5	4
20-25	22	6,6	40	54	17	25	25	20	5

RC ROD CLEVIS



Cylinder Ø mm	d1 H9	g ±0.5	a1 h11	a2 +0.3 -0.16	b1 B13	b2	d2 6H	d3 ±0.3	f ±0.2	i1 ±0.5	i2	i3 ±0.2	r
8-10	4	8	8	8	4	4	M4x0.70	8	0,5	21	16	6	0,5
12-16	6	12	12	12	6	6	M6x1.00	10	0,5	31	24	9	0,5
20	8	16	16	16	8	8	M8x1.25	14	0,5	42	32	12	0,5
25	10	20	20	20	10	10	M10x1.25	18	0,5	52	40	15	0,5



Part No.	Dimensions (mm)													
	d	d3 6H	B	C1	w	L3 min	d2	L4	h1	L5	d4	d5	dk	a°
KMB 6	6	M6x1.0	9	6,75	11	12	18	39	30	5	10	13	12,7	13
KMB 8	8	M8x1.25	12	9	14	16	22	47	36	5	12,5	16	15,875	14
KMB 10-1	10	M10x1.25	14	10,5	17	20	26	56	43	6,5	15	19	19,05	13